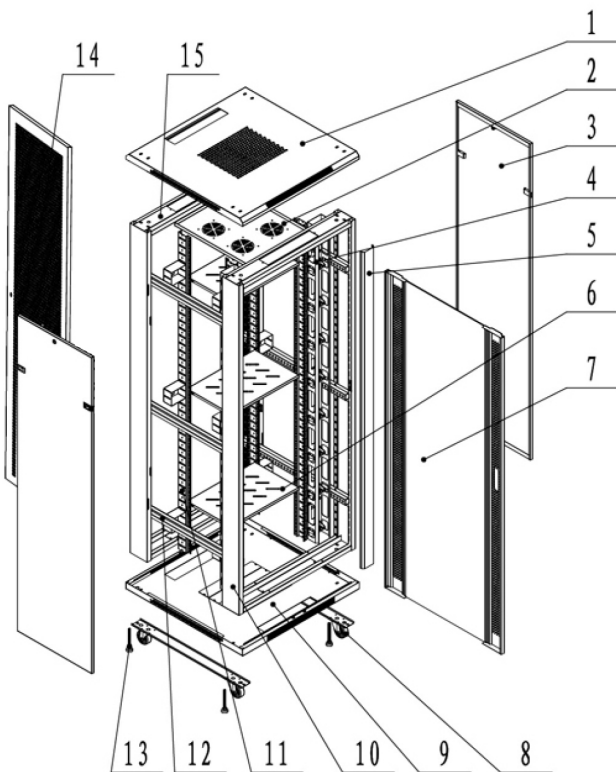


Floor Cabinet



Free Standing Network Cabinet

- Top with Fans.
- Side door quick open
- With Earth Kit
- Thickness of Steel: Rail 2.0mm, others 1.2mm
- Bottom with 3" Heavy Duty Castors with Breaker

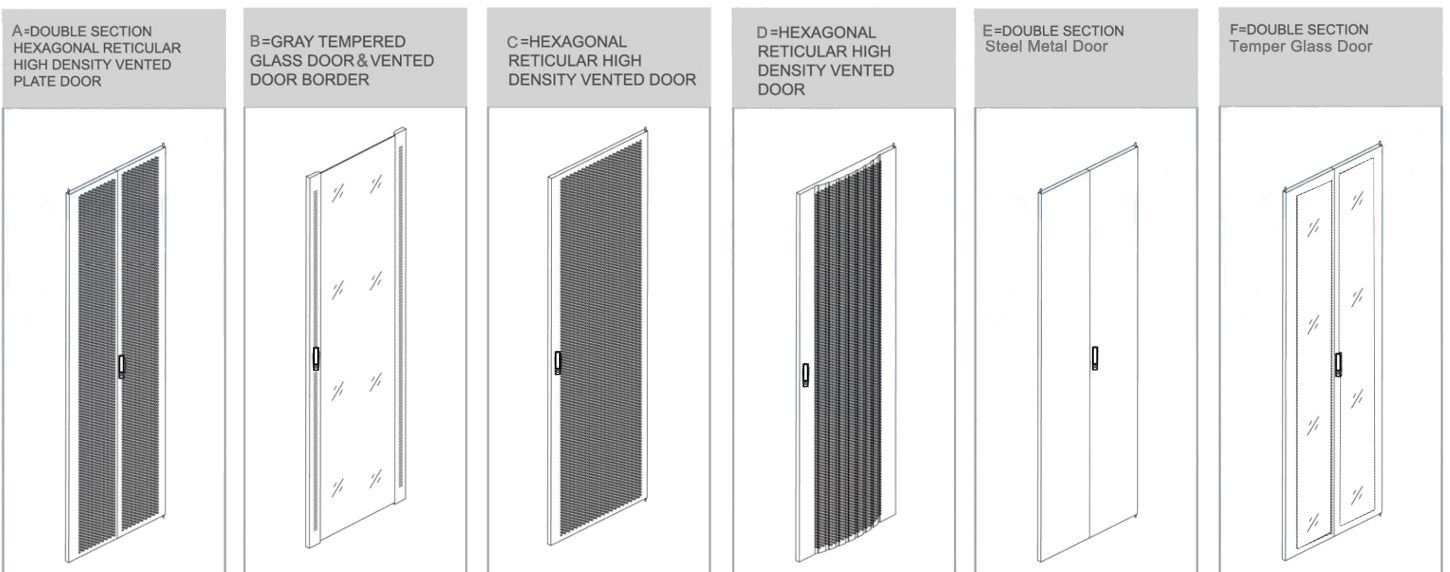


No.	Item	Qty
1	Top Cover	1
2	Fan Tray	1
3	Side Door	2
4	Vertical Cable Management	4
5	Cable Management Cover (800mm width only)	2
6	Fixed Shelf	3
7	Front Temper glass door	1
8	Wheel	4
9	Bottom Cover	1
10	Frame (Front)	4
11	Rail Mount	4
12	Connect Bar	6
13	Adjustable Feet	4
14	Back Flat mesh door	1
15	Frame (Back)	1

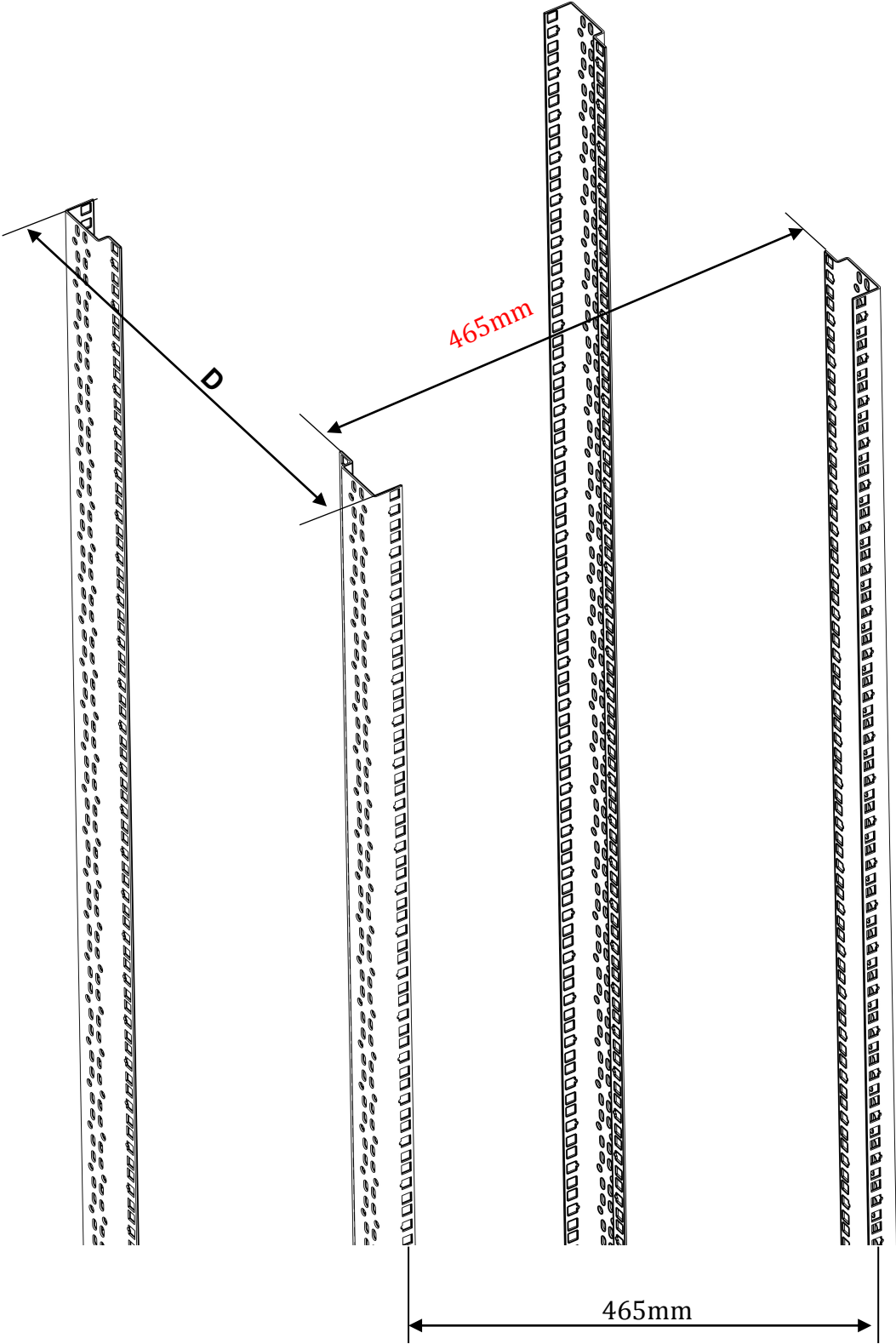
PRODUCTS DETAILS

G.B P/N	MODEL NO.	CAPACITY	WIDTH (MM)	DEPTH (MM)	HEIGHT (MM)	Equipment Max Depth
67970020011	TN-001-6732 Front D Rear A	32U	600	700	1636	550mm
67970002111	TN-001-6032 Front D Rear A		600	1000		850mm
67970025011	TN-001-6842 Front B Rear C	42U	600	800	2081	650mm
67970025511	TN-001-6042 Front D Rear C		600	1000		850mm
67970026211	TN-001-8842 Front A Rear A		800	800		650mm
67970026011	TN-001-8842 Front double temper glass door and rear double mesh door		800	800		650mm
67970026511	TN-001-8042 Front F Rear A		800	1000		850mm

Below is door Optional:



OLD VERSION



NEW VERSION

